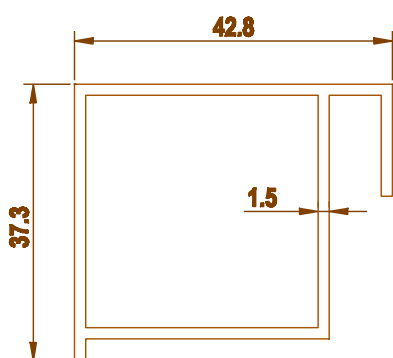
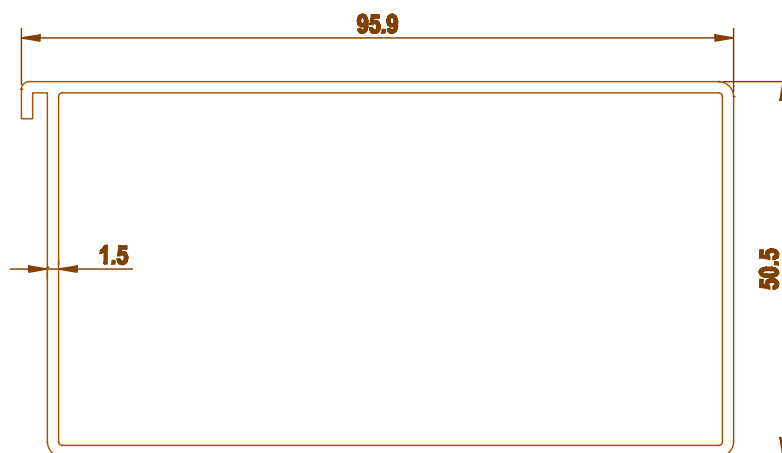


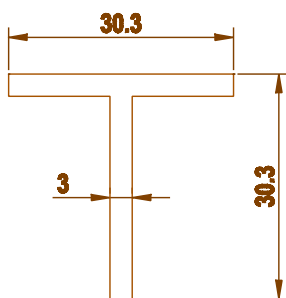
**0000 1.044 kg/m**



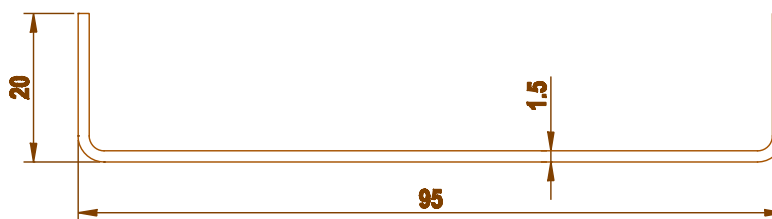
**0000 0.635 kg/m**



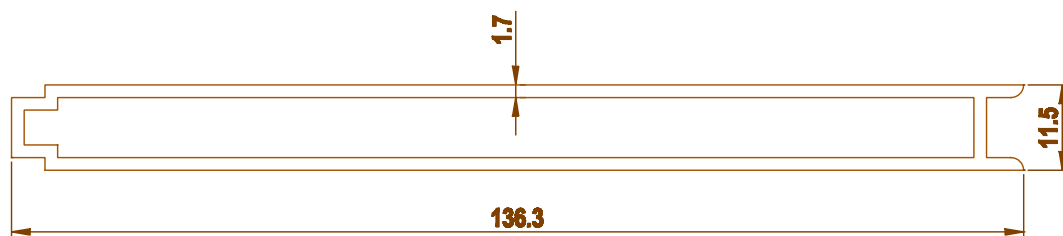
**0000 1.158 kg/m**



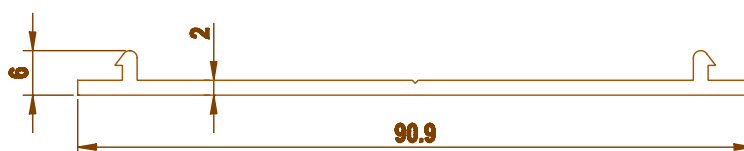
**0000 0.468 kg/m**



**0000 0.526 kg/m**



**0000 1.327 kg/m**



**0000 0.536 kg/m**